



# W5AC December Meeting

12/8/2022

**W5AC, the Texas A&M University** amateur radio club. Est. 1912



# Welcome

- Congratulations to new licensees and upgrades

**W5AC, the Texas A&M University** amateur radio club. Est. 1912

# MEMBERSHIP DUES

Do not click on “Dues” but scroll down  
and pick “Licensed  
Voting/Non-voting/Unlicensed  
Membership



<https://tamu.estimate.flywire.com/products?storeCatalog=7803>

**W5AC, the Texas A&M University** amateur radio club. Est. 1912

# President's Report

- EchoLink Issues

**W5AC, the Texas A&M University** amateur radio club. Est. 1912

# Vice President's Report

- Shirts – licensing in-progress & planning to use an online store with CC Creations

# Secretary's Report

- Meeting Minutes from November Meeting

# Treasurer's Report

- General (00000) – \$3,195.82
- Test Fee (20000) – \$21.40
- Marketplace (30000) – \$1,184.88
- 99999 – \$735.30

# Current Officer Nominations



## President

- Hudson Spillers (KL4LJ) '24

## Treasurer

- Nayab Warach (KI5YBE) '26

## Secretary

- Elliott Sankus (KI5YER) '25
- Jerry Xu (KI5VYD) '25
- Ian Duncan (KI5YMA) '24
- Katherine Forson (KT5KMF) '26

# Upcoming Events

- CW Kit Build:
  - Planned for January 2023



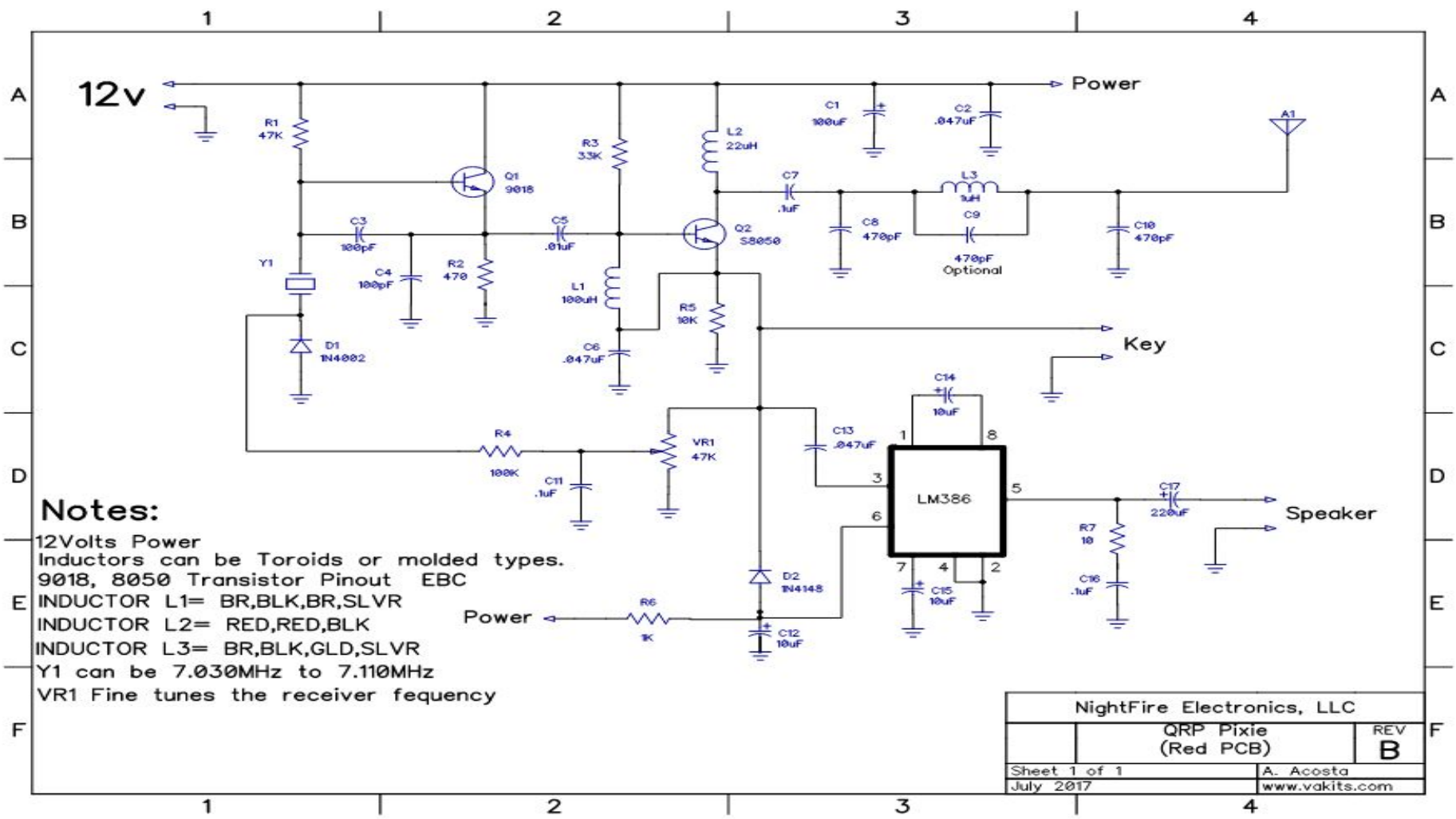
Thanks for attending and  
congrats to new officers!

**W5AC, the Texas A&M University** amateur radio club. Est. 1912



After meeting discussion:  
CW Transceivers

**W5AC, the Texas A&M University** amateur radio club. Est. 1912



**Notes:**

- 12Volts Power
- Inductors can be Toroids or molded types.
- 9018, 8050 Transistor Pinout EBC
- INDUCTOR L1= BR,BLK,BR,SLVR
- INDUCTOR L2= RED,RED,BLK
- INDUCTOR L3= BR,BLK,GLD,SLVR
- Y1 can be 7.030MHz to 7.110MHz
- VR1 Fine tunes the receiver fequency

NightFire Electronics, LLC		
QRP Pixie (Red PCB)		REV <b>B</b>
Sheet 1 of 1		A. Acosta
July 2017		www.vakits.com